

# 15.6" Quad Split Monitor

4 x 4K HDMI Inputs/ Outputs



## User Manual

## **Product Overview**

Thank you for using our broadcast monitor. This full hd monitor includes multi-screen split display, false color, zoom, display rotation, check field, center marker, safety marker, etc. With 4 HDMI inputs and outputs, it can be used with a switcher to meet different user needs.

**To insure best use of the unit, please read the user's manual carefully.**

## **CAUTION**

1. Please use the adapter attached in the accessory, if necessary, please use qualified adapter.
2. Please do NOT expose this product directly in the sunlight, heat, and humid conditions.
3. Please keep the monitor away from the strong light while using this product to ensure the image effect and long-term use.
4. Please avoid heavy impact or drop onto the ground.
5. Please do NOT use chemical solutions to clean this product.  
Please wipe the monitor with a clean soft cloth to maintain the brightness of the surface.
6. No adjustable components are in the monitor. Please do not take apart or repair the unit by yourself, to avoid the damage of the product.

# Product Features

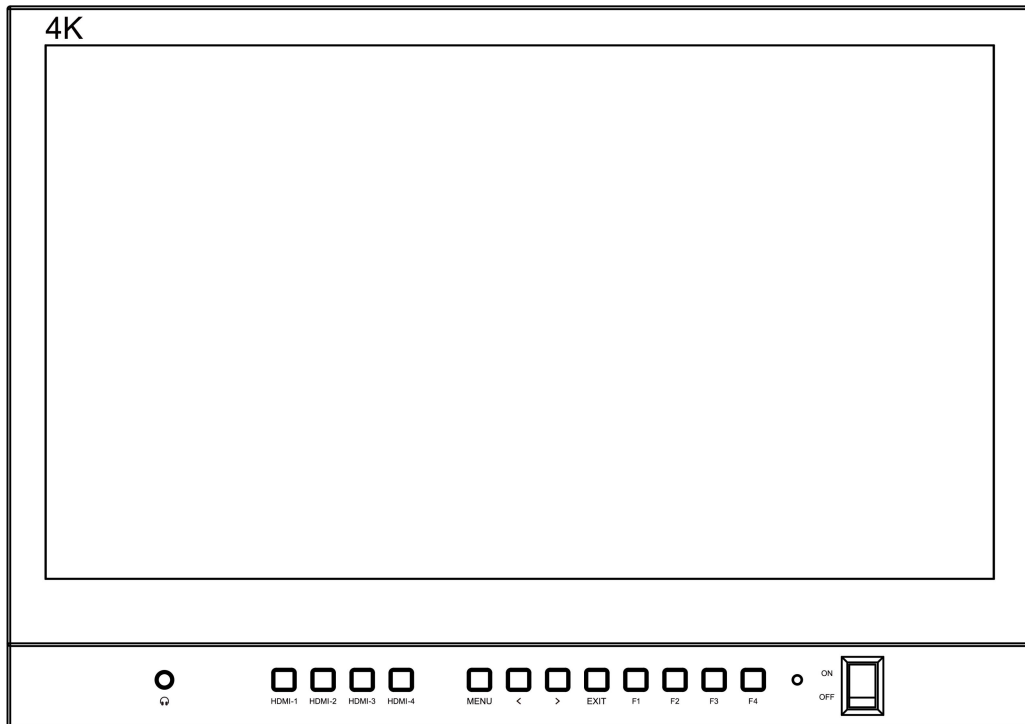
- ◆ Full HD 1920x1080 resolution
- ◆ 4 x 4K HDMI Inputs and Outputs
- ◆ Ultra Vivid
- ◆ False Color
- ◆ Center Marker and Safety Marker
- ◆ Image Freeze: The current picture still (capture function)
- ◆ Display Rotate
- ◆ Check Field (Red, Green, Blue, Mono)
- ◆ Display Mode could set 1P, 2P-LR, 2P-TB, PIP, 4P
- ◆ Zoom: Upper Left, Upper Right, Lower Left, Lower Right, Center1, Center2
- ◆ Aspect Ratio could select Full, 16:9, 4:3, 5:4, 1:1
- ◆ Color Temperature (6500K, 5800K, 5500K, User, 9300K, 7500K)
- ◆ Panel buttons (F1~F4) function custom settings
- ◆ Front panel stereo earphone output

# CONTENTS

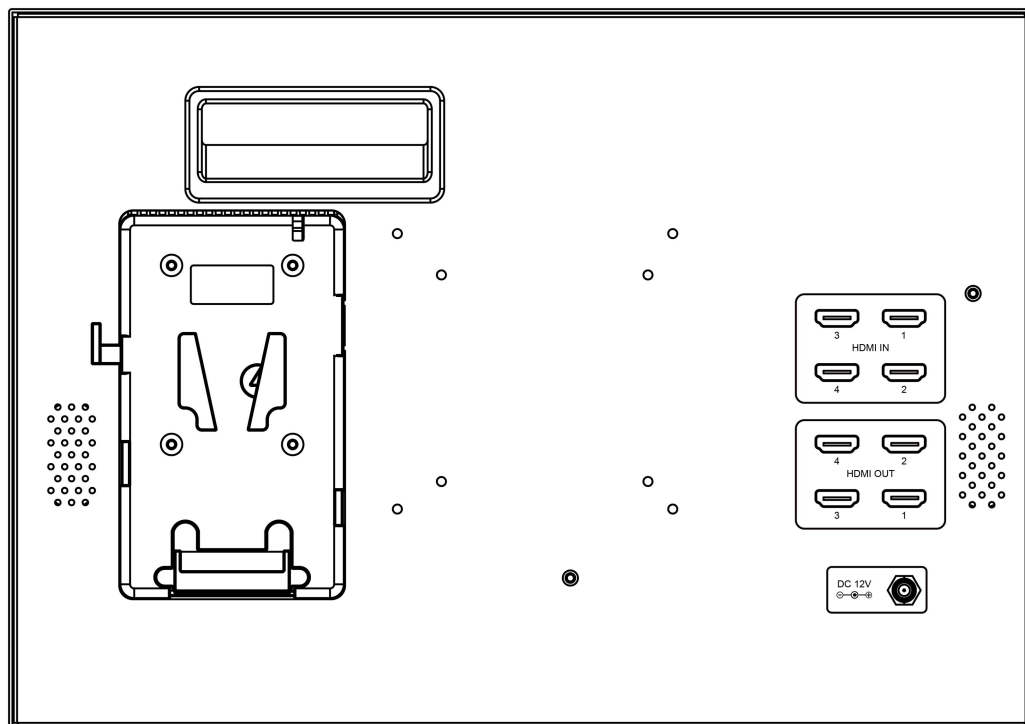
<b>1. Product Description</b>	<b>4</b>
1.1 Panel Button Instructions	5
1.2 Interfaces Instructions	6
1.3 Power Input Way	6
1.4 Style	7
1.5 Use with Switcher	7
<b>2. Button Shortcut Operation Instructions</b>	<b>8</b>
2.1 F1~F4 Shortcut Keys Custom Function Settings	8
2.2 The Quick Adjustment of The Analogs	9
<b>3. Menu Operation Instructions</b>	<b>10</b>
<b>4. Menu Function Instructions</b>	<b>10</b>
<b>5. Product Parameters</b>	<b>14</b>
<b>6. Trouble Shooting</b>	<b>15</b>

# 1. Product Description

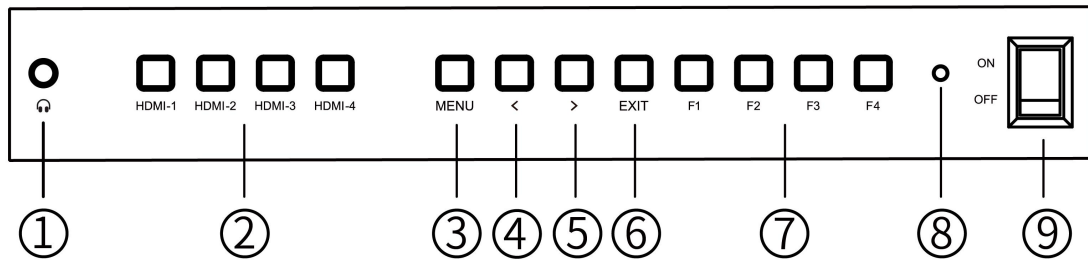
## ● Front Panel Features




## ● Rear Panel Features

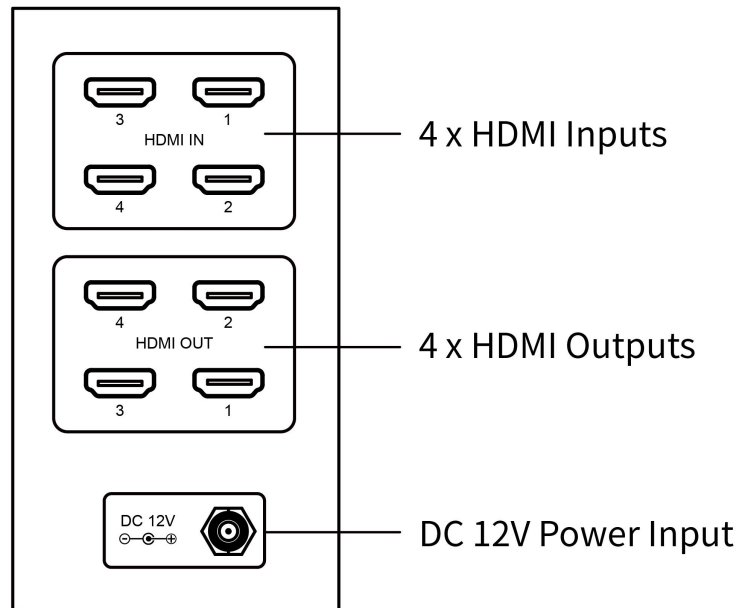


## 1.1 Panel Button Instructions



- ①.  : Earphone jack output port
- ②. **HDMI-1~HDMI-4:** HDMI1~4 signal input selection
- ③. **MENU:** Bring up the main menu, confirm to enter the submenu and adjustment items
- ④. **<:** Press the < key directly to call up the backlight adjustment item, then press the </> key to adjust the value; Enter the menu for upward selection, or decrease/ adjust the selected parameter.
- ⑤. **>:** Press the > key directly to call up the backlight adjustment item, and then press the </> key to adjust the value; Enter the menu to select downward, or increase/ adjust the selected parameter.
- ⑥. **EXIT:** Confirm the adjusted parameters and return to the previous OSD menu
- ⑦. **F1~F4:** Custom button F1~F4
- ⑧. **Power Indicator**
- ⑨. **Power ON/ OFF**

## 1.2 Interfaces Instructions



## 1.3 Power Input Way

- (1) The DC 12V input power port on the back of the monitor supports 12~24V wide voltage and can be powered by a DC power adapter.
- (2) The battery plate on the back of the monitor is equipped with a battery for power supply. The factory default is equipped with a V-mount battery plate.

**Remark:** According to the different specification of the battery, the capability is different, and the working time for the monitor will be different. Higher capability (working time) will be longer.

**Without the charging circuit design for the monitor, please remove the battery to charge with the battery charger.**

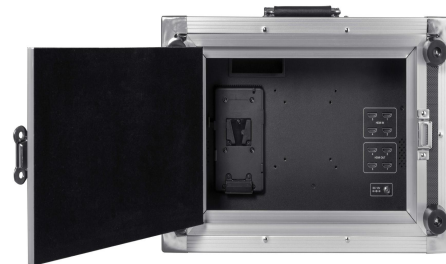
**Suggestion:** Better to remove the battery if don't use this product in a long time.

## 1.4 Style

- Desktop (U Bracket)



- Carry-on



## 1.5 Use with Switcher

### Instructions with ATEM Mini switcher:

Connect 4 HDMI signal sources to this monitor (to help you preview the picture to avoid "blind cut" channel status), then loop 4 HDMI signals to the switcher, and then switch in and play out.





**Desktop**



**Carry-on**

## 2. Button Shortcut Operation Instructions

### 2.1 F1~F4 Shortcut Keys Custom Function Settings

F1~F4 are custom shortcut function buttons, users can customize the function of the buttons.

**Operation Mode: short press for shortcut key function**

operation, long press for entering shortcut key custom setting.

● Take F1 button for example and explain

Long press F1 button, the screen will display:



Use < or > key to selection:

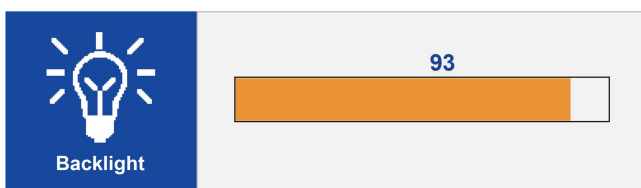
**Freeze Ultra Vivid False Color Check Field 2P LR 2P TB  
2P PIP 4P Aspect Ratio Disp Rotate Anamorphic Zoom  
Safety Marker Center Marker Grid Marker Mute**

Select one of them, press the **MENU** key to confirm, and then enter the next F button to set.

(You can also set the F shortcut key function in the menu  setting.)

## 2.2 The Quick Adjustment of The Analogs

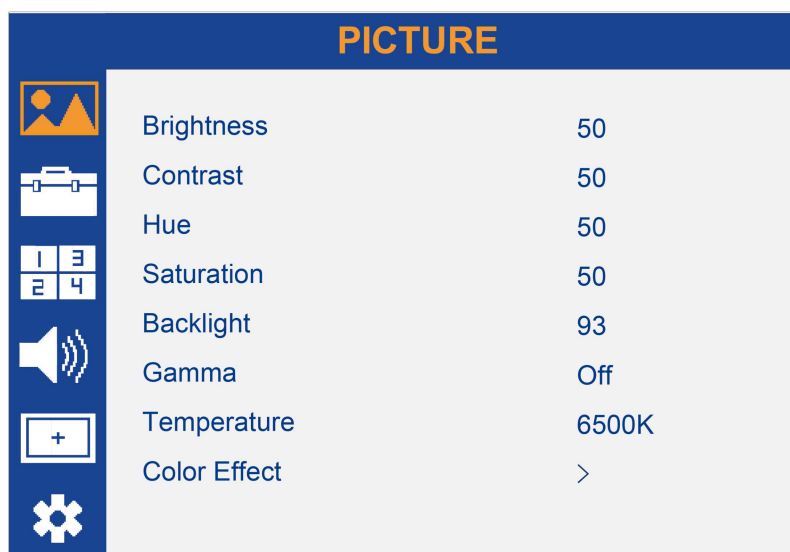
Press the < or > key to call up the backlight adjustment item:



Then press the **MENU** key to switch the analog quantity: **Backlight, Volume, Brightness, Contrast, Hue, Saturation, Sharpness.**

Select one of them, press the </> key to adjust the analog value, and then switch the analog quantity to adjust. After the adjustment, press **EXIT** key to confirm and exit.

### 3. Menu Operation Instructions



- ①. press the **MENU** key to enter the menu bar, use the < or > key to select the menu item, and press the **MENU** key to enter the secondary menu.
- ②. After entering the secondary menu, use the < or > key to select the adjustment item. Press the **MENU** key to confirm and enter the adjustment item, use the < or > key to adjust the parameter value. After adjustment, press the **EXIT** key to confirm and return to the previous menu, and then enter the next step of selection and adjustment.

### 4. Menu Function Instructions



Picture

<b>Brightness</b>	<b>0~100</b>
<b>Contrast</b>	<b>0~100</b>
<b>Hue</b>	<b>0~100</b>
<b>Saturation</b>	<b>0~100</b>

<b>Backlight</b>	<b>0~100</b>
<b>Gamma</b>	<b>Off, 1.8, 2.0, 2.2, 2.4</b>
<b>Temperature</b>	<p><b>6500K, 5800K, 5500K, User, 9300K, 7500K</b></p> <p>Under the <b>User</b>, the <b>Red, Green</b> and <b>Blue</b> of the image can be adjusted.</p> <p><b>Red (0~255), Green (0~255), Blue (0~255)</b></p> <p>(Use the <b>&lt;/&gt;</b> key to select the <b>User</b>, and then press the <b>MENU</b> key to enter the <b>User</b> menu.)</p>
<b>Color Effect</b>	<p>The <b>Hue (0-100)</b> and <b>Saturation (0-100)</b> of the three primary colors (<b>Red, Green, Blue</b>) and three auxiliary colors (<b>Yellow, Cyan, Magenta</b>) of the image can be adjusted.</p> <p>(Press the <b>MENU</b> key to enter the <b>Color Effect</b> menu.)</p>



### Function

<b>Aspect Ratio</b>	<b>Full, 16:9, 4:3, 5:4, 1:1</b>
<b>Check Field</b>	<b>Off, Red, Green, Blue, Mono</b>
<b>Anamorphic</b>	<b>Off, x1.33, x1.5, x1.8, x2.0</b>
<b>Ultra Vivid</b>	<p><b>Off, On</b></p> <p>By sharpening the edge of images to help peaking focus operation when shooting.</p>
<b>Freeze</b>	<b>Off, On</b>
<b>Zoom</b>	<p><b>Off, Upper Left, Upper Right, Lower Left, Lower Right, Center1, Center2</b></p> <p>(<b>Center 1</b>: magnify 4 times; <b>Center 2</b>: magnify 9 times)</p>
<b>Disp Rotate</b>	<b>0°, 90°, 180°, 270°, H Mirror, V Mirror</b>
<b>False Color</b>	<b>Off, Mode1, Mode2, Mode3</b>



## Display

<b>Display Mode</b>	<b>1P, 2P LR, 2P TB, 2P PIP, 4P</b>
<b>Display Function</b>	<p>When the Display Mode is <b>2P LR</b> or <b>2P PIP</b>, you can press the <b>MENU</b> key to enter the <b>Display Function</b> menu for parameter adjustment.</p> <ul style="list-style-type: none"> <li>● Under the <b>2P LR</b>, you can adjust: <b>LR Ratio (0~4)</b></li> <li>● Under <b>2P PIP</b>, you can adjust: <b>PIP Position (RB, MID, LT, RT, LB)</b> <b>PIP Transparency (0~10)</b> <b>PIP Size (0~10)</b> <b>Input Swap (Press MENU key to swap)</b></li> </ul>
<b>Select Region</b>	When the display mode is multi-picture mode, you can select one of the pictures to adjust the brightness, contrast, hue, saturation and other parameters of the picture.
<b>Input</b>	Perform signal input switching on the displayed screen. (Press the <b>MENU</b> key to enter the <b>Input</b> menu to switch the input source)
<b>Information</b>	View the corresponding screen input source information. (Press the <b>MENU</b> key to enter the <b>Information</b> menu to view.)



## Audio

<b>Volume</b>	<b>0~100</b>
<b>Mute</b>	<b>Off, On</b>
<b>Audio Source</b>	In multi-picture mode, you can select the input signal of one picture as audio output.



## Marker

<b>Safety Marker</b>	<b>Off, 80%, 85%, 90%, 93%, 96%, 4:3, 2.39:1, 2.35:1, 1.85:1</b>
<b>Center Marker</b>	<b>Off, On</b>
<b>Grid Marker</b>	<b>Off, 3X3, 6X6</b>
<b>Line Width</b>	<b>0~10</b>
<b>Line Color</b>	<b>Red, Green, Blue, White</b>
<b>Mask</b>	<b>Half, Black, Off</b>



## Setting

<b>Language</b>	<b>English, 中文, 日本語, Français, Deutsche, Español, Português, Italiano, русский</b>
<b>F1~F4</b>	<b>False Color, Check Field, 2P LR, 2P TB, 2P PIP, 4P, Aspect Ratio, Disp Rotate, Anamorphic, Zoom, Safety Marker, Center Marker, Grid Marker, Mute, Freeze, Ultra Vivid</b>  (You can customize the shortcut key function settings for F1~F4 of the key panel.)
<b>Transparency</b>	<b>0~255</b>
<b>OSD H Position</b>	<b>0~100</b>
<b>OSD V Position</b>	<b>0~100</b>
<b>Menu Time</b>	<b>30~60s</b>
<b>Reset</b>	Press the <b>MENU</b> button to reset, it will restore the factory default parameter settings.

## 5. Product Parameters

<b>Panel Size</b>	15.6"
<b>Resolution</b>	1920x1080 pixels
<b>Aspect Ratio</b>	16:9
<b>Dot Pitch</b>	0.17925 (H) x 0.17925 (V) mm
<b>Brightness</b>	250cd/m <sup>2</sup>
<b>Contrast</b>	800:1
<b>Viewing Angle</b>	85°/85°(L/R) 85°/85°(U/D)
<b>Backlight</b>	LED
<b>Input</b>	HDMIx4 (support 4K 30Hz)
<b>Output</b>	HDMIx4 (support 4K 30Hz)
<b>Audio</b>	3.5mm Stereo Headphone
<b>HDMI Support Format</b>	480p/576p 720p (60/59.94/50/30/29.97/25/24/23.98) 1080p (60/59.94/50/30/29.97/25/24/23.98) 3840×2160p (30/25/24), 4096×2160p (24)
<b>Input Voltage</b>	DC12~24V
<b>Power Consumption</b>	≦ 12W
<b>Unit Size</b>	372Lx262Hx28.4D (mm) (without bracket/suitcase)
<b>Unit Weight</b>	1.57kg (without bracket/suitcase)
<b>Working Temperature</b>	-10°C~50°C
<b>Storage Temperature</b>	-20°C~60°C

## 6. Trouble Shooting

If there is any problem when using the unit, please try following ways to inspect and solve. Please contact us if you still could not solve it or have other problems.

### ● Without image display

### Trouble shooting

◆ HDMI cable off or connect incorrectly	Check the quality of the cable and make sure to connect the corresponding input
◆ Without HDMI signal input	Check the signal source and output interface connect is correct or not
◆ Monitor is not be powered on	Check whether the power is connected, put the power switch to “ <b>ON</b> ” position
◆ Supply voltage instability	Check the power adapter and the battery installation

### ● Image/color display abnormal

### Trouble shooting

◆ HDMI cable poor contact	Replace the HDMI cable and try again
◆ The signal interfered by external environment	Move to another environment to try again
◆ Menu color saturation adjustment closing	Enter menu to check color, or reset to factory settings
◆ Check Field set in mono or black & white	Reset Check Field, back to the color
◆ Image deformation	Reset the image aspect ratio



● **Speaker without sound**

**Trouble shooting**

◆ The HDMI cable off or not connection properly	Confirm connected with the corresponding input port
◆ Volume adjustment was closed	Reset the volume control and adjust to a proper position
◆ HDMI cable poor connected	Check the quality of cable, or change the cable and have a try

■ **Remark:**

- ★ If there are still other problems, please contact our relevant personnel.
- ★ As we are improving our products features, so if there are changes without prior notice.